

FS-10798E 2.0 - 75 (l/min) variable adjustment of set points

These externally adjustable switches are ideal for protecting machine tools from coolant flow failure, for protecting bearings from loss of lubricant or to assure proper air flow. They offer an infinite number of flow settings at pressures up to 68 bar, with low pressure drop and precise repeatability.

The adjusting vane is easily field adjustable using an ordinary flat-bladed screwdriver. The adjustment is set-screw-locked for tamper-free operation after field calibration.

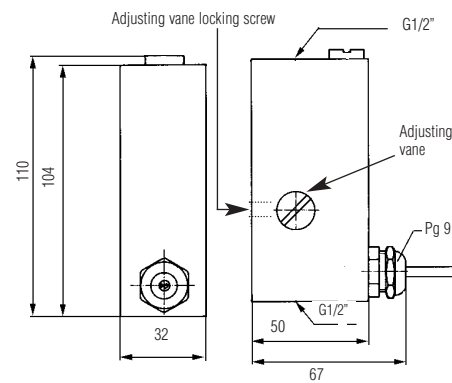
Specifications

(all data related to water at +20°C)

Max. flow	85 l/min
Max. operating pressure	68 bar
Proof pressure	100 bar
Temperature range	- with Polysulfone piston (standard), with cable, with plug connector: -20 °C...+80 °C - with metal piston and terminal box: -20 °C...+150 °C
Adjustment range	2...75 (l/min)
Switching function (related to increasing flow)	-NC, NO, SPDT
Mounting orientation	any position
Factory calibration position	horizontal, electrical connection up
Repeatability	± 1%
Adjustment accuracy	±10%
Hysteresis	max. 15%
Mounting	G 1/2"
Electrical connections	- cable: PVC, 2 or 3 x 0.34 mm ² (length: approx. 1 m) - plug connector per DIN 43650 - terminal box
Enclosure	- IP 65
Electrical data contact rating	- SPST (NC/NO): 100 VA, 3 A, 220 V~ - SPDT 20 VA, 0.5 A, 250 V~
Weight	1.2 kg



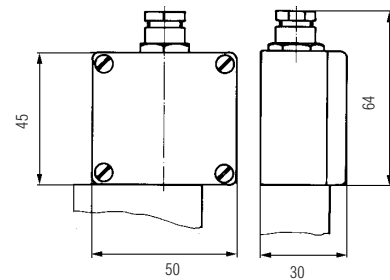
Dimensions (in mm)



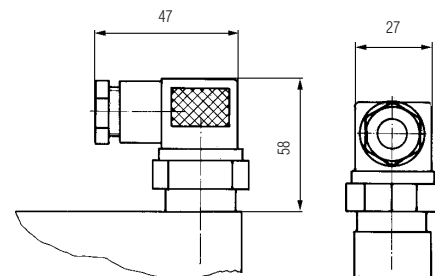
Housing: Brass or Stainless Steel
Piston: Polysulfone* or Stainless Steel
Spring: Stainless Steel
O-Ring: Viton®

* option Brass

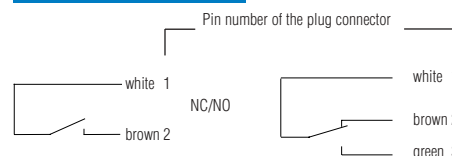
Terminal Box



Plug Connector



Wiring Diagram



How to Order

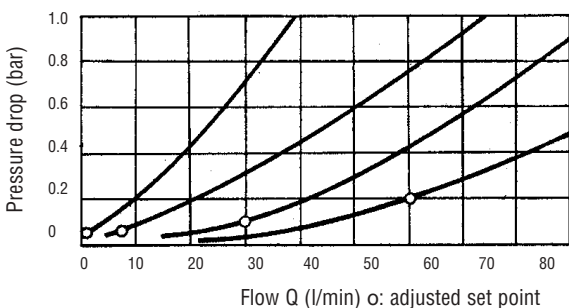
Type code: **FS-10798E-.....**

Housing material:	Brass	M	_____
	Stainless Steel	C	_____
Electr. connection:	Cable	P	_____
	Terminal box	K	_____
	Plug connector	S	_____
Type of contact:	NO	S	_____
	NC	O	_____
	SPDT	W	_____

Note: For mineral oil applications please order brass piston instead of polysulfone piston, add -GE169 to type number e.g. FS-10798E-M-P-W-GE169

Pressure Drop Diagram

(at min. set point adjustment)



Standard Products in **bold**