

TTBM - P



TTBM



Features

- Removable element structure, easy installation and maintenance.
- Dry dial, Magnetic drive sensitive action, low pressure loss.
- Vacuum sealed register ensures the dial keep free from fog.
- Technical data conforms to international standard ISO 4046.

Optional Features

- Plastic register, copper register and full glass register.
- Accuracy standard R50 (Optional R80).
- Size: DN50-500mm.
- Cold / Hot water.
- Reed switch option.
- Cast iron, Ductile iron, SS304, SS316 body option.
- Working pressure: PN16/25.

Application

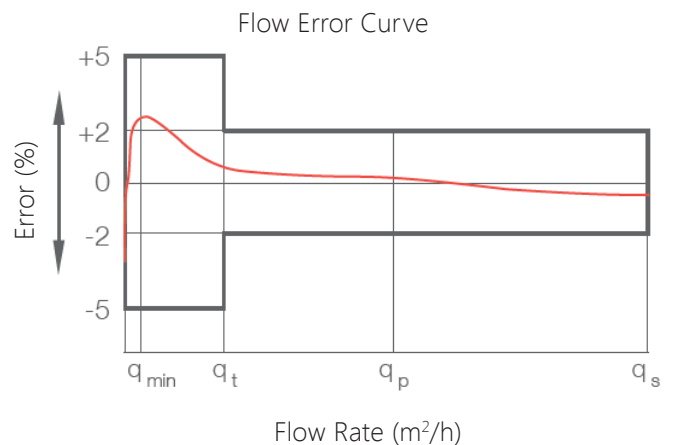
- Measuring the volume of cold (hot) water passing through the pipeline.

Working Conditions

- Water temperature: 0.1°C - 40°C (0.1°C - 90°C for hot water meter version).
- Water pressure: PN10/16/25.

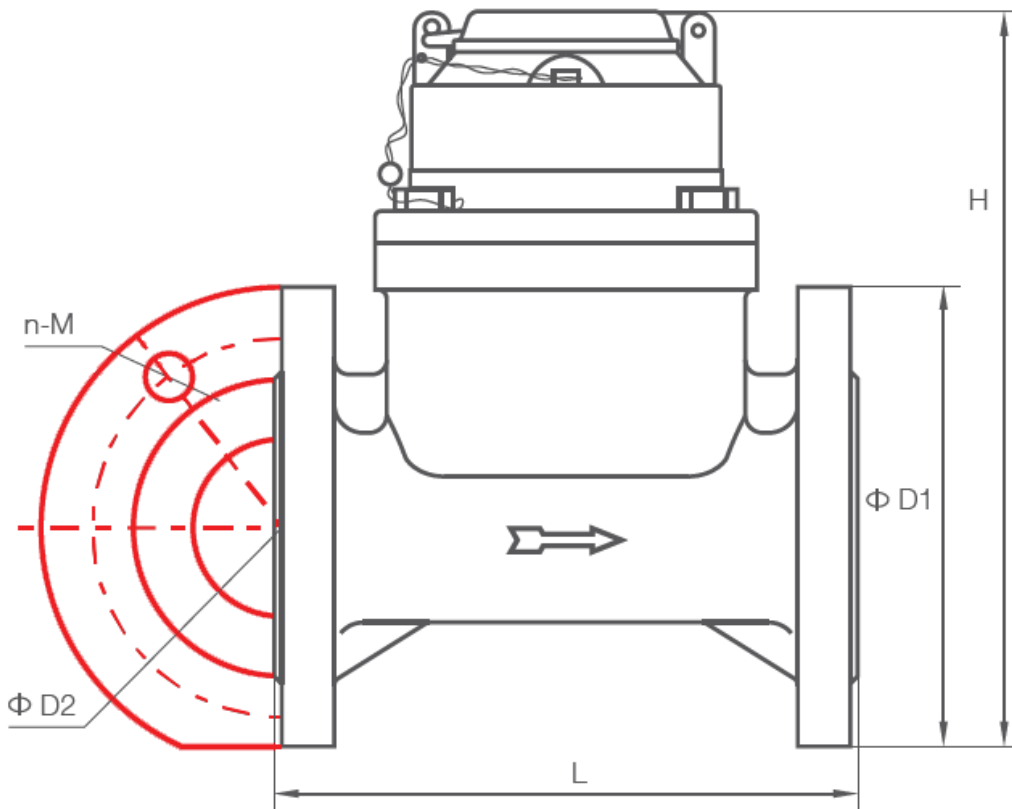
Maximum Permissible Error

- In the lower zone from q_{min} inclusive up to but excluding q_t is $\pm 5\%$
- In the upper zone from q_t inclusive up to and including q_s is $\pm 2\%$ (3% for hot water meter)





Type	Size	L Length	H Height	Connecting Flange		
	mm			$\Phi D1$ Outside Diameter	$\Phi D2$ Bolt Circle Diameter	Connecting Bolts (n-M)
50	50	200	261	165	125	4-M16
65	65	200	271	185	145	4-M16
80	80	225	279	200	160	8-M16
100	100	250	289	220	180	8-M16
125	125	250	299	250	210	8-M16
150	150	300	319	285	240	8-M20
200	200	350	346	340	295	8-M20 (1.0DE)
						12-M20 (1.6MPa)
250	250	450	450	395 (1.0MPa)	350 (1.0MPa)	12-M20 (1.0MPa)
				405 (1.6MPa)	355 (1.6MPa)	12-M24 (1.6MPa)
300	300	500	478	445 (1.0MPa)	400 (1.0MPa)	12-M20 (1.0MPa)
				460 (1.6MPa)	410 (1.6MPa)	12-M24 (1.6MPa)

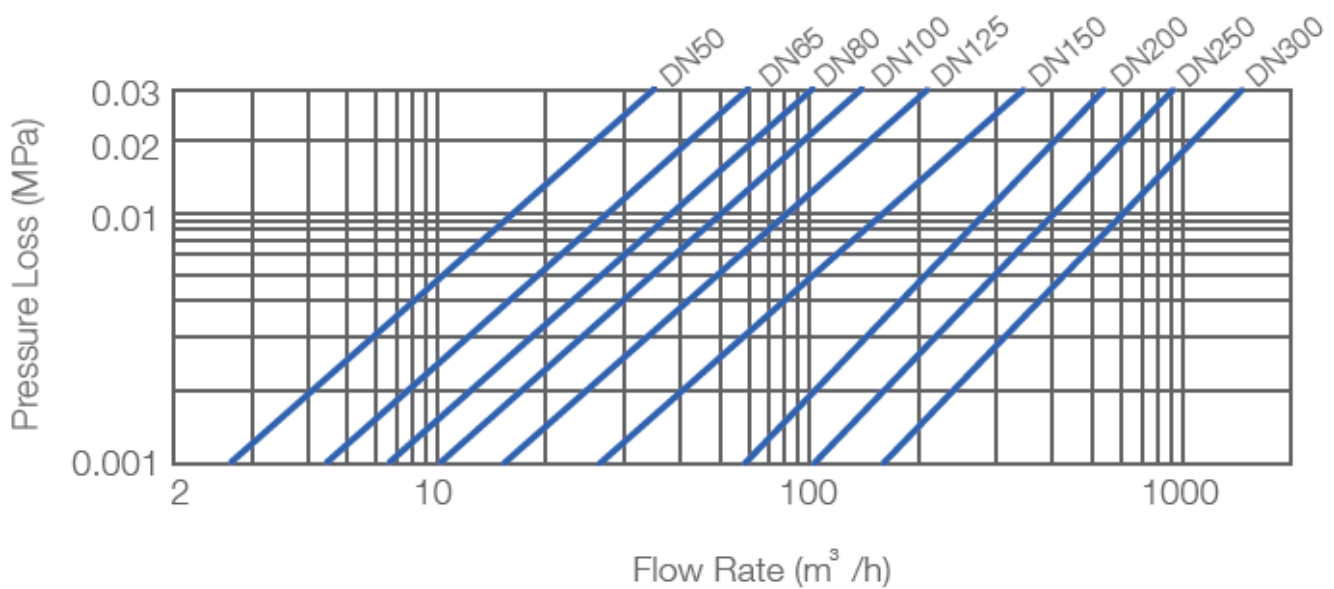




Pulse Position

Size	Pulse Position
DN50-65	10/100/1000L/Pulse
DN80-200	100/1000L/Pulse
DN250-300	1000L/Pulse

Pressure Loss Curve





Nominal Flow	Maximum Flow Q_4	Perma- nent Flow Q_3	Q_2 / Q_1	Q_2 / Q_1	Transitional Flow Q_2	Minimum Flow Q_1	Minimum Reading		Maximum Reading	
							Full Glass Seal	Common Seal	Full Glass Seal	Common Seal
DN	m ³ /h				m ³ /h		m ³			
50	31.25	25	50	1.6	0.8	0.5	0.0005	0.0002	999,999	999,999
65	50	40	50	1.6	1.28	0.8	0.0005	0.0002	999,999	999,999
80	78.8	63	50	1.6	2	1.3	0.002	0.002	999,999	9,999,999
100	125	100	50	1.6	3.2	2	0.002	0.002	999,999	9,999,999
125	200	160	50	1.6	4	3.2	0.002	0.002	999,999	9,999,999
150	312.5	250	50	1.6	8	5	0.002	0.002	999,999	9,999,999
200	500	400	50	1.6	12.8	8	0.002	0.002	999,999	9,999,999
250	787.5	630	50	1.6	20.16	12.6	0.02	0.02	9,999,999	99,999,999
300	1250	1000	50	1.6	32	20	0.02	0.02	9,999,999	99,999,999