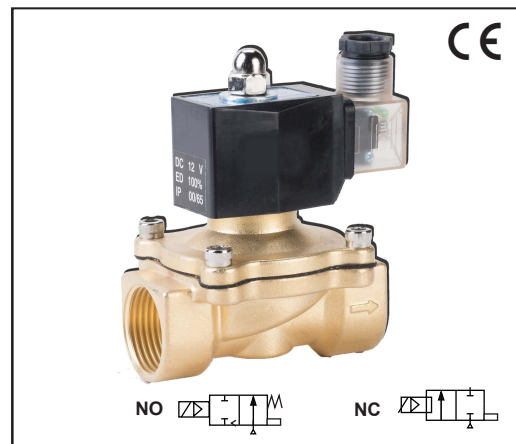


# 2/2 Trantech general service solenoid Valve-TTSVW2

SERIES TTSVW2 DIRECT ACTING, BRASS BODY, 1/8 to 2" Line size , 10 bar pressure.

## Features

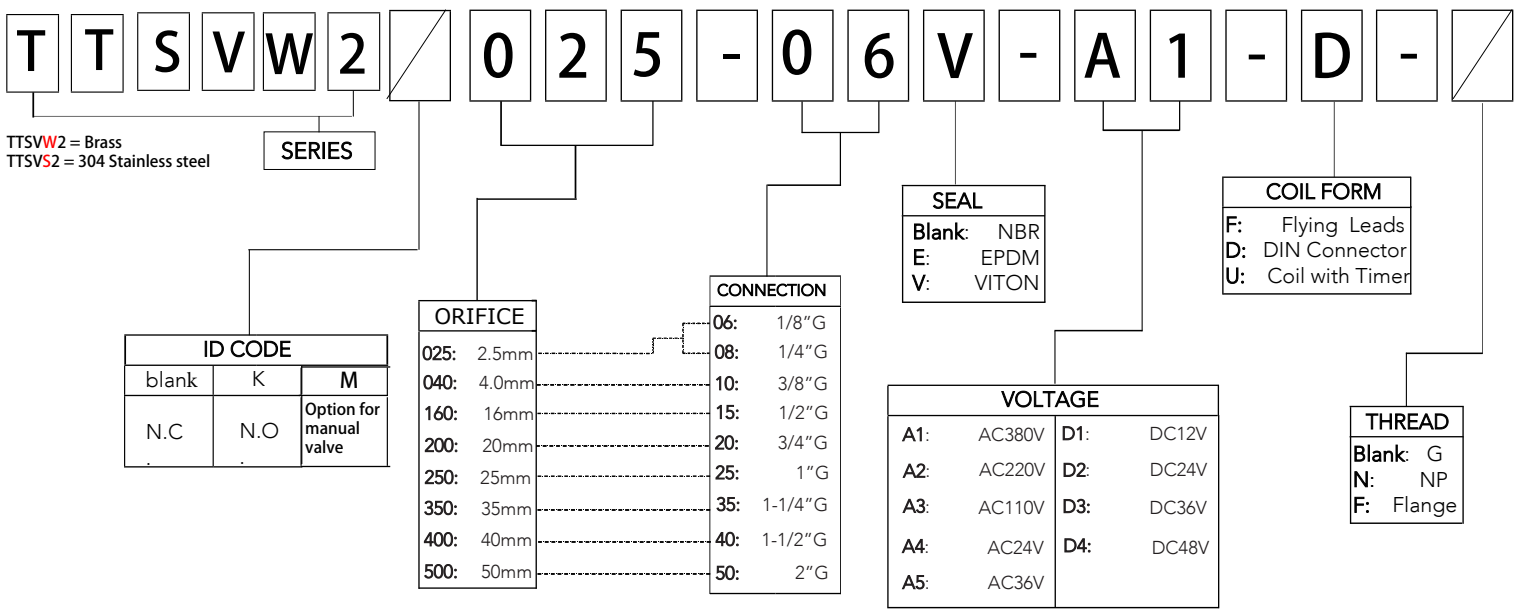
- Zero pressure start, quick reaction time, flow capacity higher than pilot operated type
- Reliable, proven design with high flows
- Direct acting design, it has strong resistance to impurities in the medium
- Industrial applications include:
  - Car Wash
  - Air Compressors
  - Pumps
  - Laundry Equipment
  - Industrial Water Control
  - Water Treatment



## Electrical

Standard Coil	Watt Rating and Power Consumption				Spare Coil Part Number			
	DC Watt	AC			General Purpose		Explosionproof	
		Watt	VA Holdin	VA Inrus	AC	DC	AC	DC
F	13	22	22	40	AB310-AC	AB310-DC	1680-AC	1680-DC
F	16	18	22	65	AB410-AC	AB410-DC	1661-AC	1661-DC
F	13	22	35	180	-	-	1381-AC	1381-DC

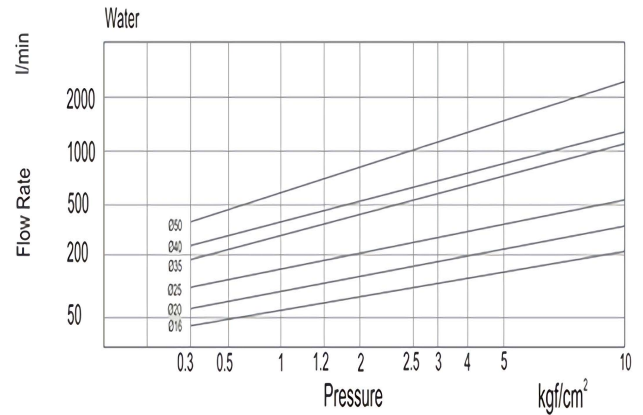
## Ordering code



Order Example: 2W series direct acting 2/2 way, Brass construction, N. C. solenoid valve, 1/2" port size, VITON seals, AC220V, DIN connector, BSPP (G) thread.  
 Part# TT2W160-15V-A2-D

## Dimension details

Model	Port Size	Orifice
W2-160-15-A2-D	1/2"	16mm
W2-200-20-A2-D	3/4"	20mm
W2-250-25-A2-D	1"	25mm
W2-350-35-A2-D	1-1/4"	35mm
W2-400-40-A2-D	1-1/2"	40mm
W2-500-50-A2-D	2"	50mm



## Specifications (Metric units)

Pipe Size (in)	Orifice Size (mm)	CV Flow Factor	Operating Pressure Differential (Bar)						Max. Fluid Temp. °C		Brass		Stainless Steel 304		Watt Rating/ Class of Coil Insulation	
			Min.	Max. AC			Max. DC			AC	DC	Catalog Number	Catalog Number	AC	DC	
				Air-Inert Gas	Water	Light Oil less 50 CST	Air-Inert Gas	Water	Light Oil less 50 CST							
<b>NORMALLY CLOSED (Closed when de-energized)</b>																
1/8	2.5	0.23	0	7	7	7	5	5	5	80	80	<b>W2-025-06-A2-D</b>	<b>S2-025-06-A2-D</b>	6.1/F	11.6/F	
1/8	2.5	0.23	0	7	7	-	5	5	-	120	120	<b>W2-025-06E-A2-D</b>	<b>S2-025-06E-A2-D</b>	10.1/F	11.6/F	
1/8	2.5	0.23	0	7	7	7	5	5	5	120	120	<b>W2-025-06V-A2-D</b>	<b>S2-025-06V-A2-D</b>	6.1/F	11.6/F	
1/4	2.5	0.23	0	7	7	7	5	5	5	80	80	<b>W2-025-08-A2-D</b>	<b>S2-025-08-A2-D</b>	17.1/F	-	
1/4	2.5	0.23	0	7	7	-	5	5	-	120	120	<b>W2-025-08E-A2-D</b>	<b>S2-025-08E-A2-D</b>	6.1/F	11.6/F	
1/4	2.5	0.23	0	7	7	7	5	5	5	120	120	<b>W2-025-08V-A2-D</b>	<b>S2-025-08V-A2-D</b>	10.1/F	11.6/F	
3/8	4	0.6	0	8	8	5	5	5	5	80	80	<b>W2-040-10-A2-D</b>	<b>S2-040-10-A2-D</b>	17.1/F	11.6/F	
3/8	4	0.6	0	8	8	5	5	5	5	120	120	<b>W2-040-10E-A2-D</b>	<b>S2-040-10E-A2-D</b>	6.1/F	11.6/F	
3/8	4	0.6	0	8	8	5	5	5	5	120	120	<b>W2-040-10V-A2-D</b>	<b>S2-040-10V-A2-D</b>	17.1/F	-	
1/2	16	4.8	0	10	10	7	6	6	4	80	80	<b>W2-160-15-A2-D</b>	<b>S2-160-15-A2-D</b>	17.1/F	40.6H	
1/2	16	4.8	0	10	10	7	6	6	4	120	120	<b>W2-160-15E-A2-D</b>	<b>S2-160-15E-A2-D</b>	17.1/F	11.6/F	
1/2	16	4.8	0	10	10	7	6	6	4	120	120	<b>W2-160-15V-A2-D</b>	<b>S2-160-15V-A2-D</b>	6.1/F	11.6/F	
3/4	20	7.6	0	10	10	7	6	6	4	80	80	<b>W2-200-20-A2-D</b>	<b>S2-200-20-A2-D</b>	10.1/F	11.6/F	
3/4	20	7.6	0	10	10	7	6	6	4	120	120	<b>W2-200-20E-A2-D</b>	<b>S2-200-20E-A2-D</b>	6.1/F	11.6/F	
3/4	20	7.6	0	10	10	7	6	6	4	120	120	<b>W2-200-20V-A2-D</b>	<b>S2-200-20V-A2-D</b>	16.1F	30.8/F	
1	25	12	0	10	10	7	6	6	4	80	80	<b>W2-250-25-A2-D</b>	<b>S2-250-25-A2-D</b>	16.1/F	30.8/F	
1	25	12	0	10	10	7	6	6	4	120	120	<b>W2-250-25E-A2-D</b>	<b>S2-250-25E-A2-D</b>	6.1/F	11.6/F	
1	25	12	0	10	10	7	6	6	4	120	120	<b>W2-250-25V-A2-D</b>	<b>S2-250-25V-A2-D</b>	20.1/F	-	
1-1/4	35	24	0	10	10	7	6	6	4	80	80	<b>W2-350-35-A2-D</b>	<b>S2-350-35-A2-D</b>	10.1/F	11.6/F	
1-1/4	35	24	0	10	10	7	6	6	4	120	120	<b>W2-350-35E-A2-D</b>	<b>S2-350-35E-A2-D</b>	6.1/F	11.6/F	
1-1/4	35	24	0	10	10	7	6	6	4	120	120	<b>W2-350-35V-A2-D</b>	<b>S2-350-35V-A2-D</b>	16.1F	30.8/F	
1-1/2	40	29	0	10	10	7	6	6	4	80	80	<b>W2-400-40-A2-D</b>	<b>S2-400-40-A2-D</b>	16.1/F	30.8/F	
1-1/2	40	29	0	10	10	7	6	6	4	120	120	<b>W2-400-40E-A2-D</b>	<b>S2-400-40E-A2-D</b>	6.1/F	11.6/F	
1-1/2	40	29	0	10	10	7	6	6	4	120	120	<b>W2-400-40V-A2-D</b>	<b>S2-400-40V-A2-D</b>	20.1/F	-	
2	50	48	0	10	10	7	6	6	4	80	80	<b>W2-500-50-A2-D</b>	<b>S2-500-50-A2-D</b>	17.1/F	-	
2	50	48	0	10	10	7	6	6	4	120	120	<b>W2-500-50E-A2-D</b>	<b>S2-500-50E-A2-D</b>	16.1/F	30.8/F	
2	50	48	0	10	10	7	6	6	4	120	120	<b>W2-500-50V-A2-D</b>	<b>S2-500-50V-A2-D</b>	6.1/F	11.6/F	

**\*Note :**

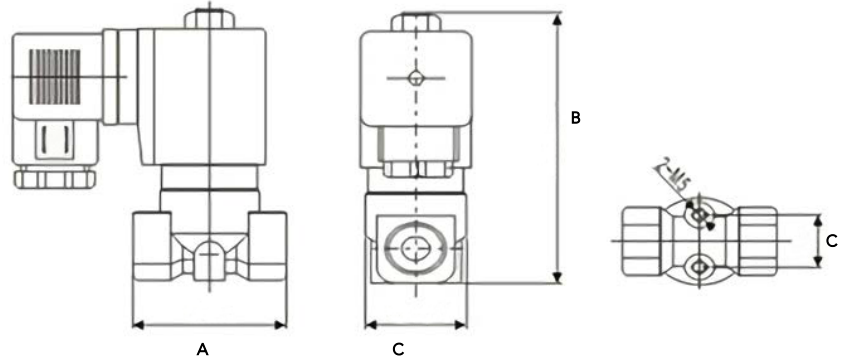
Standard voltages must be specified when ordering. Other supply voltages are available - please consult for further details

## Dimensions (mm)

Ref.	A	B	C
1/8	40.5	83.5	26.8
1/4	40.5	83.5	26.8
3/8	69	106	57
1/2	69	106	57
3/4	73	114	57
1	73	114	57
1-1/4	112	150	86.5
1-1/2	123	160	94
2	165	183	123

**IMPORTANT:** Valves may be mounted in any position, except as noted in specifications table.

Size : 1/8-3/8"



Size : 1/2-2"

