

TRANTECH TTMJV MULTI-JET WATER METER



Features

- Magnetic Drive, Lower transmission resistance.
- Magnetic shield, for external magnetic field protection.
- Sealed dry register ensures clear reading.
- Accessories: 2pcs coupling, 2pcs coupling nuts and 2pcs washers.

Standard Compliance

- Technical data conforms to international standard ISO 4064.

Working Condition

- Water temperature: 0.1°C - 40°C for cold water meter - Brass and Plastic construction.
- 0.1°C - 90°C for hot water meter.
- Water pressure options: PN10/16/25. PN10 for plastic meter, PN16 standard brass meter. PN25 optional for brass meter

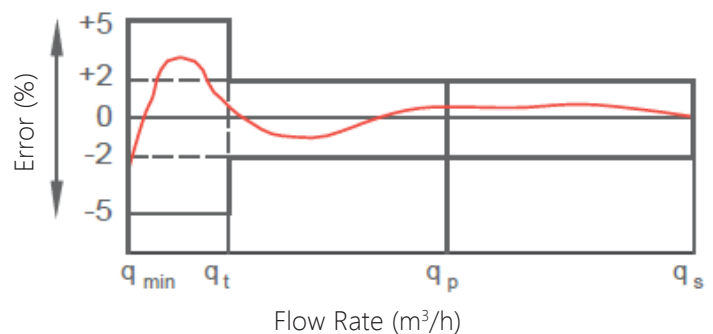
Maximum Permissible Error

- Lower zone from q_{min} inclusive up to but excluding q_t is $\pm 5\%$.
- Upper zone from q_t inclusive up to and including q_s is $\pm 2\%$; $\pm 3\%$ for hot water meter.

Optional Features

- Register sealed type: Dry type; Semi-dry type; Super-dry type.
- Accuracy: R=80; 100; 125; 160. (R80 Standard)
- Size: 15-50mm.
- Hot water meter available.
- Several lengths and connections available on request.
- Thread end type: BSP / NPT. (BSP Standard)

Flow Error Curve



Wiring (Reed switch)

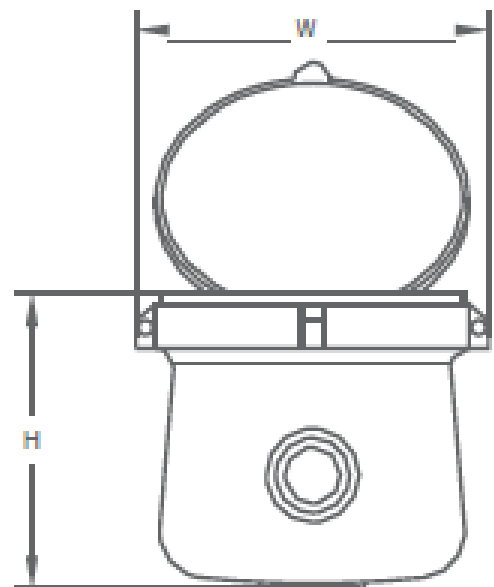
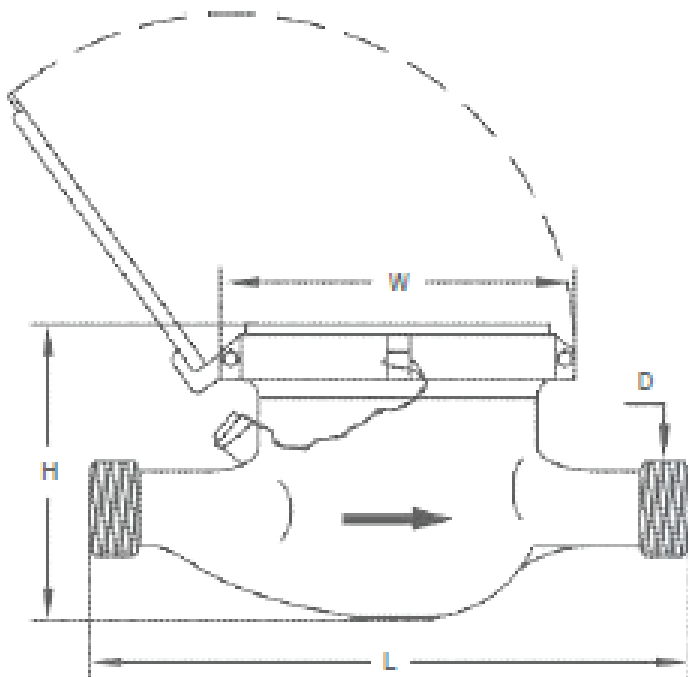


1 Litre per pulse TTMJV 15-25mm
10 Litre per pulse TTMJV 32 -50mm



Overall Dimensions and Weight

DN (mm)	15	20	25	32	40	50	50
Size (inch)	1/2"	3/4"	1"	1-1/4"	1-1/2"	2"	2"
Length (L)	165/190	190	260	260	300	300	280
Width (W)	99/104	98	103.5	103.5	125	125	160
Height (H)	116/121	117	124	124	162	162	187.5
Connecting Thread D	G3/4B	G1B	G11/4B	G11/2B	G2B	G21/2B	Flange End
Weight (kgs)	1.65	1.79	1.85	2.68	5.25	7.25	





DN (mm)		15	20	25	32	40	50
Size (inch)		1/2"	3/4"	1"	1-1/4"	1-1/2"	2"
Q4 (l/h)		3125	5000	7875	12500	20000	31250
Q3 (l/h)		2500	4000	6300	10000	16000	25000
R=80	Q2 (l/h)	50	80	126	200	320	400
	Q1 (l/h)	31.25	50	78.75	125	200	250
R=100	Q2 (l/h)	40	64	100.8	160	256	400
	Q1 (l/h)	25	40	63	100	160	250
R=125	Q2 (l/h)	32	51.2	80.64	128	204.8	200
	Q1 (l/h)	20	32	50.5	80	128	
R=160	Q2 (l/h)	22.5	40	63	100	160	400
	Q1 (l/h)	15.62	25	39.37	62.5	100	250
Maximum Reading (m3)		99,999	99,999	99,999	99,999	99,999	99,999
Minimum Reading (Liter)		0.05	0.05	0.05	0.05	0.05	0.05
Maximum Pressure (Bar)		16	16	16	16	16	16
Pressure Loss		63					
Maximum Temperature		T=50 deg C brass & plastic / 90 deg C Brass hot water meter					
Pulse Output Option		Vmax = 24V					
		Imax = 100mA					
		Pmax=2W					

Pulse Output

Magnetic Position	Liter / Pulse
0.0001	1 L / pulse P (for 15 to 25 mm line size)
0.001	10 L / pulse P (for 32 to 50 mm line size)